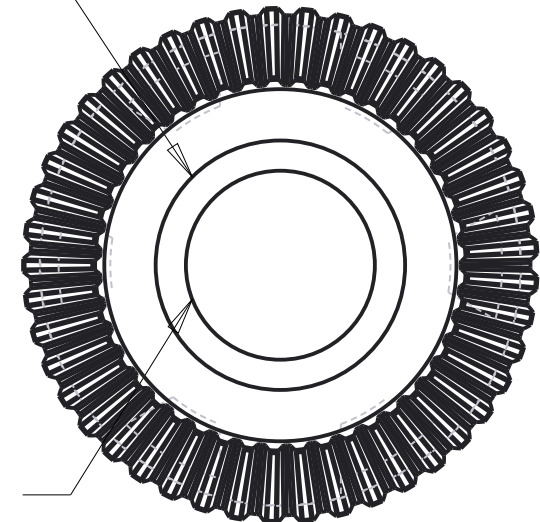
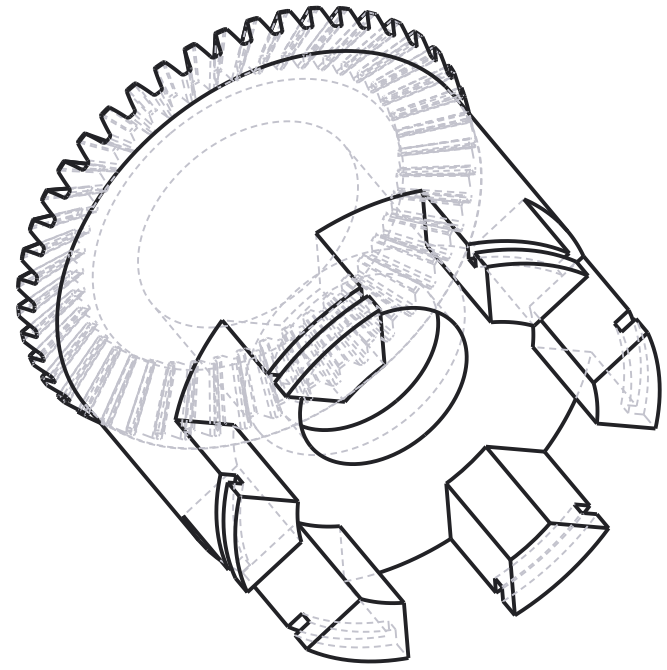


○ 33 ∇ 30



○ 25 ∇ THRU ALL



UNLESS OTHERWISE SPECIFIED DIMENSIONS IN MM TOLERANCES: X.X± 0.1 X.XX± 0.01 X.XXX± 0.003 ANGLES ± 0.5°	PROJECT NAME:		PART NAME:	
	RLT		BEVEL HUB	
	DRAWN BY:	DATE:	MATERIAL:	
	EVAN GRAMBLING	2/20/18		
SCALE:	REV:	SHEET NUMBER:	PART NUMBER:	
1.000	0	1 OF 1		