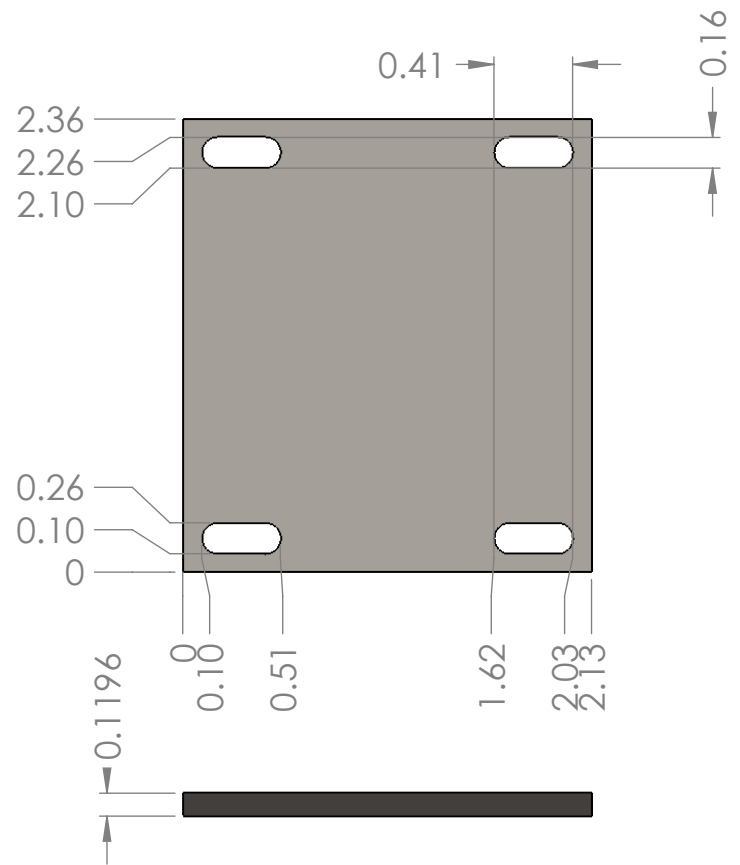


2

1

B

B



A

A

		UNLESS OTHERWISE SPECIFIED:		NAME	DATE	<COMPANY NAME>		
		DIMENSIONS ARE IN INCHES		DRAWN		TITLE: PLATE		
		TOLERANCES:		CHECKED				
		FRACTIONAL ±		ENG APPR.				
		ANGULAR: MACH ± BEND ±		MFG APPR.				
		TWO PLACE DECIMAL ±		Q.A.				
		THREE PLACE DECIMAL ±		COMMENTS:		SIZE	DWG. NO.	REV
		INTERPRET GEOMETRIC TOLERANCING PER:				A		
		MATERIAL				SCALE: 1:1		SHEET 1 OF 1
		FINISH						
	NEXT ASSY	USED ON						
	APPLICATION							
			DO NOT SCALE DRAWING					

PROPRIETARY AND CONFIDENTIAL
 THE INFORMATION CONTAINED IN THIS DRAWING IS THE SOLE PROPERTY OF <INSERT COMPANY NAME HERE>. ANY REPRODUCTION IN PART OR AS A WHOLE WITHOUT THE WRITTEN PERMISSION OF <INSERT COMPANY NAME HERE> IS PROHIBITED.

2

1