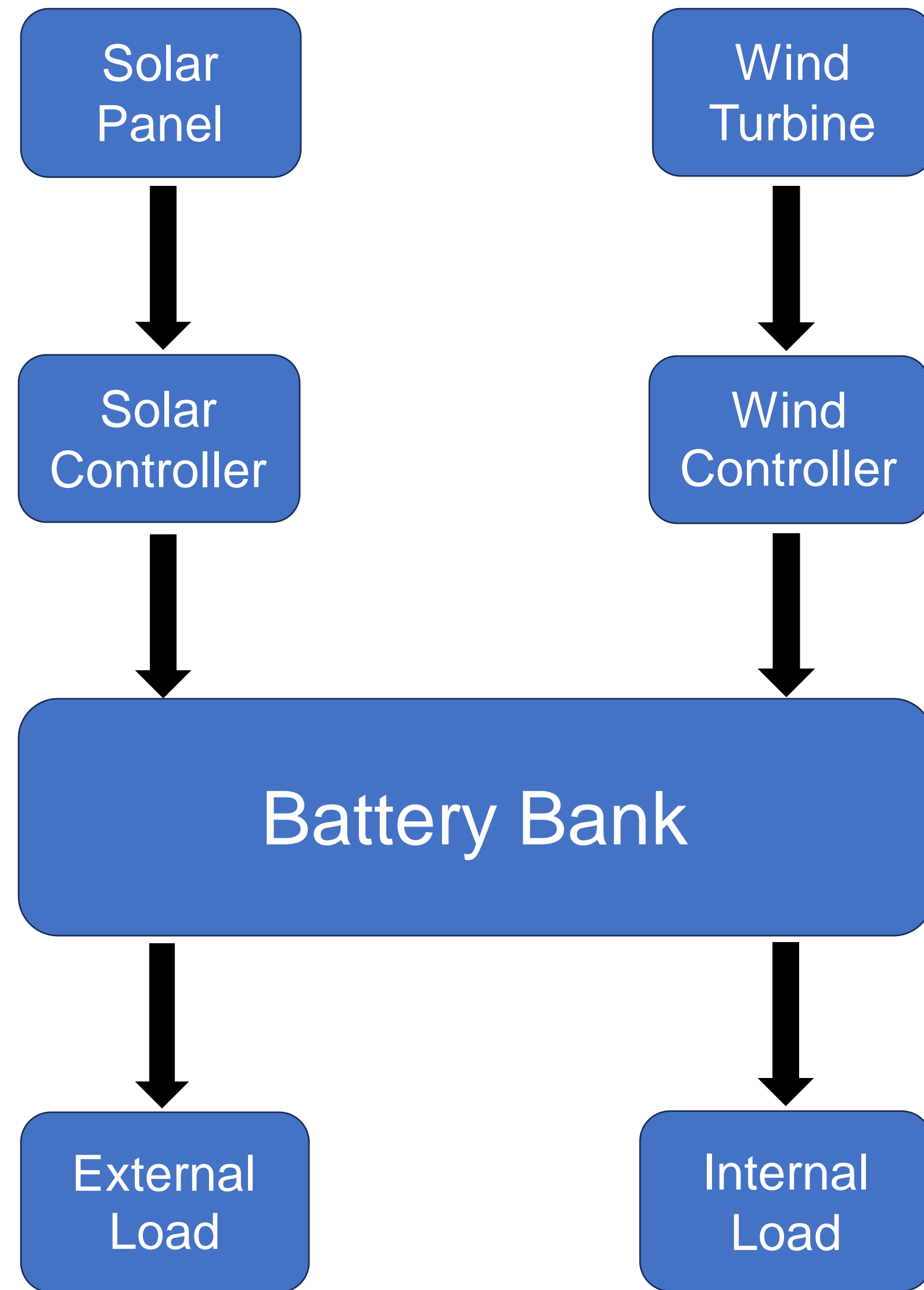


Project Objective:
The Dual Solar Wind Generator project aims to focus on the integration of power collection from two distinct sources with the goal of efficient energy generation and storage in a dedicated battery system.

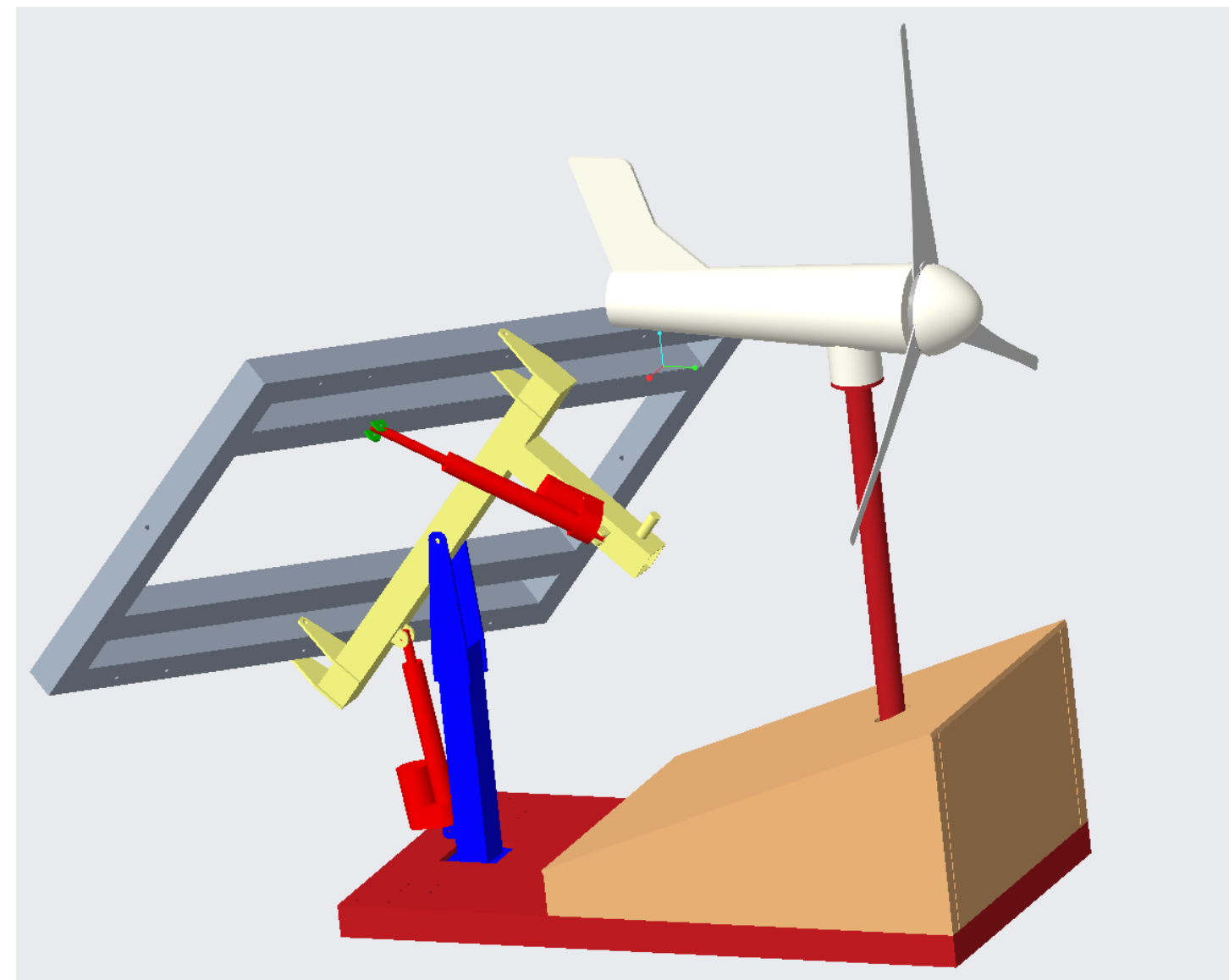
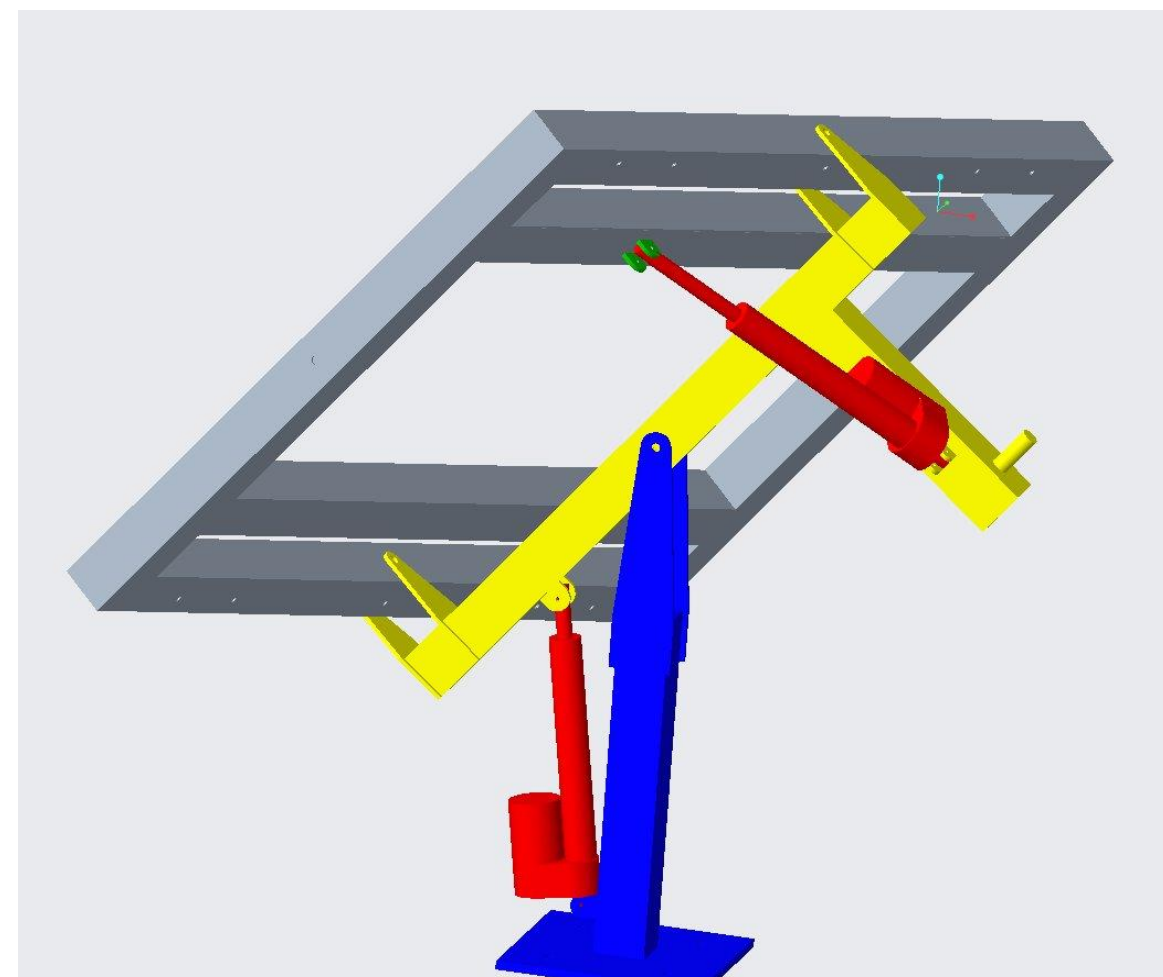
- Key targets:**
- 100 W power generation
 - 10% max electrical losses
 - 5 Year Durability
 - 45 mph max wind speed
 - 50 m portability



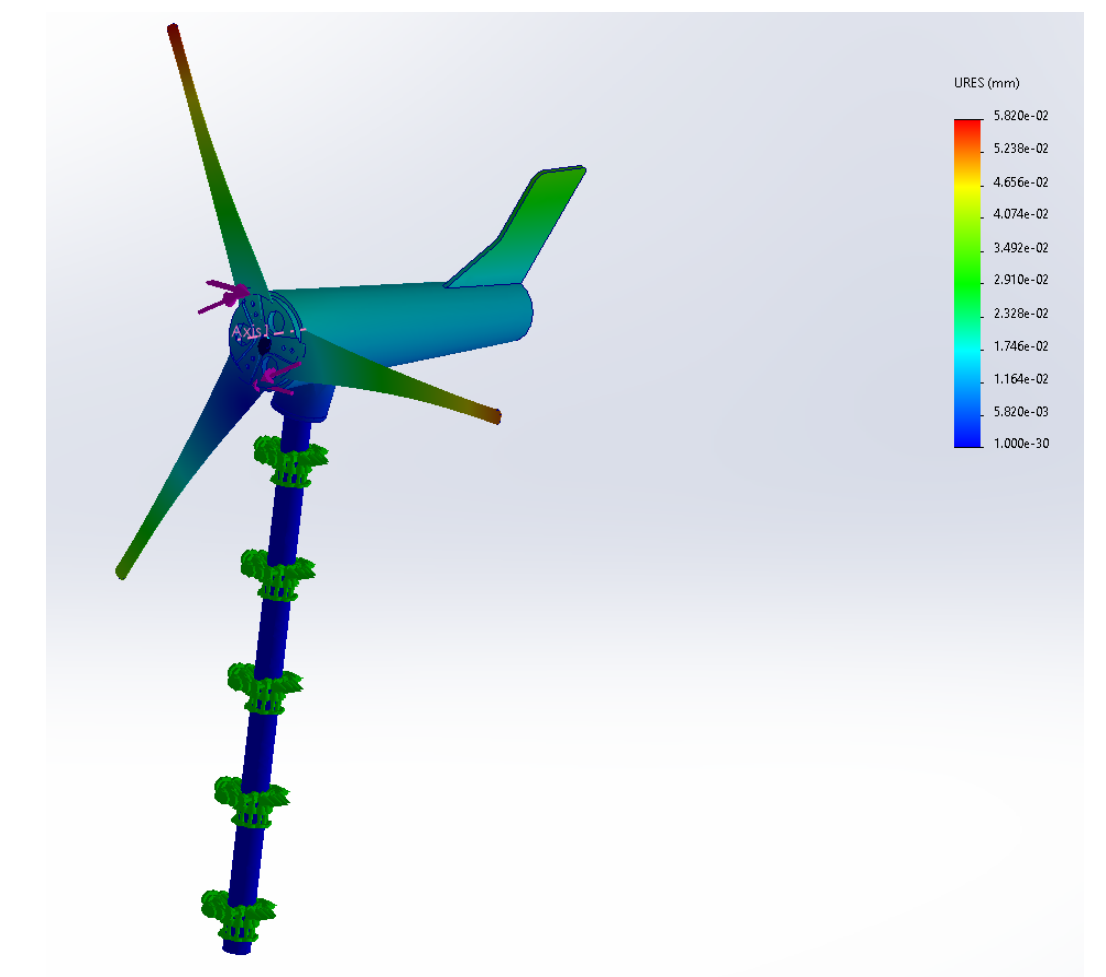
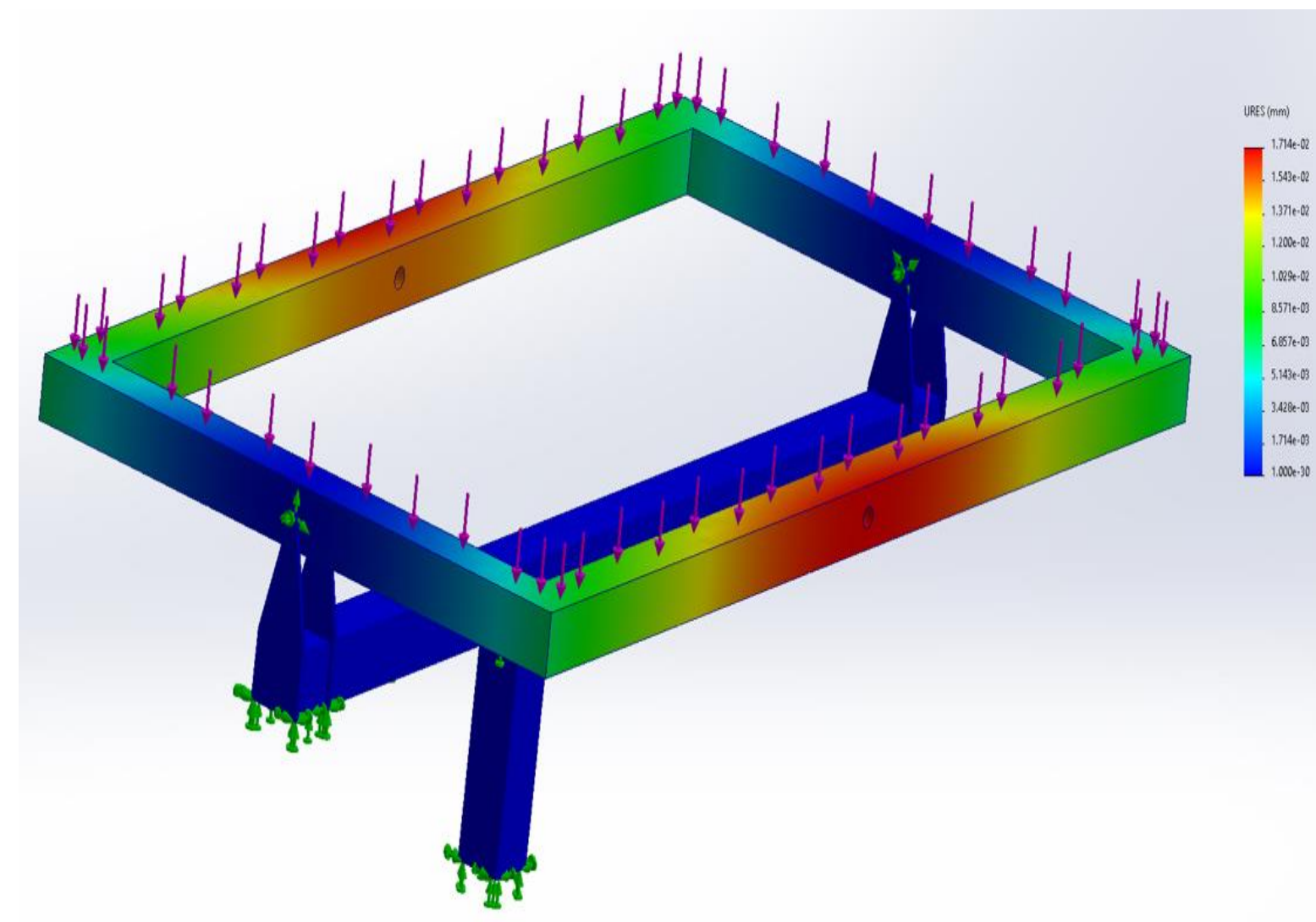
- K.A.R.E.N. integrated system:**
- Anemometer wind speed sensor
 - Integrated Digital Compass
 - Dual Axis Solar Tracking
 - Battery Level Indicator
 - Buzzer Alarm system

- Structural Simulations:**
- Solar Array Stress Simulations
 - Telescopic Pole Simulations

Final Design



Simulation Results





FAMU-FSU
College of Engineering



FAMU-FSU
College of Engineering

